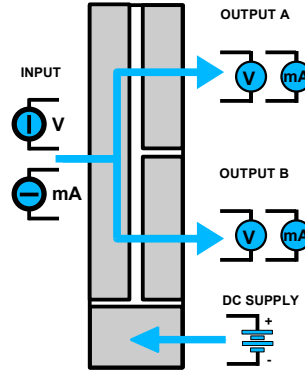


**FEATURES**

- Configurable input for voltage and current
- Double output configurable in current or voltage
- Configurable by dip-switch or PC
- High accuracy
- On-field reconfigurable
- Galvanic isolation among the ways
- EMC compliant – CE mark
- Suitable for DIN rail mounting in compliance with EN-50022 and EN-50035



**GENERAL DESCRIPTION**

The isolated doubler/converter DAT 4631 D is able to measure voltage and current signals. In function of programming, the measured values are converted in a current or voltage signal. The device guarantees high accuracy and performances stability both versus time and temperature. The programming is made by the dip-switch located in the window on the side of the enclosure. By means of dip-switches it is possible to select the input type and range and the output type without recalibrate the device. Moreover, by Personal Computer the user can program all of the device's parameters for his own necessity. It is possible to configure the two output signals with independent settings either with configuration by PC or by dip-switches. The 1500 Vac galvanic isolation on all ways (input, outputs and power supply) eliminates the effects of all ground loops eventually existing and allows the use of the converter in heavy environmental conditions found in industrial applications. The DAT 4631 D is in compliance with the standard 89/336/CEE on the Electromagnetic Compatibility. It is housed in a plastic enclosure of 12.5 mm thickness suitable for DIN rail mounting in compliance with EN-50022 and EN-50035 standards.

**USER INSTRUCTIONS**

The converter must be powered by a direct voltage applied to the terminals Q and R. The input channel measures the value from the sensor connected to the terminals the I, L and G and transmits the output measures on the terminals N and M (OUT A) and the terminals P and O (OUT B). The input and output connections must be made as shown in the section "Connections". It is possible to configure the converter on field by dip-switch or Personal Computer as shown in the section " Programming ". The configuration by dip-switches can be made also if the device is powered (note: after the configuration the device takes some seconds to provide the right output measure ).

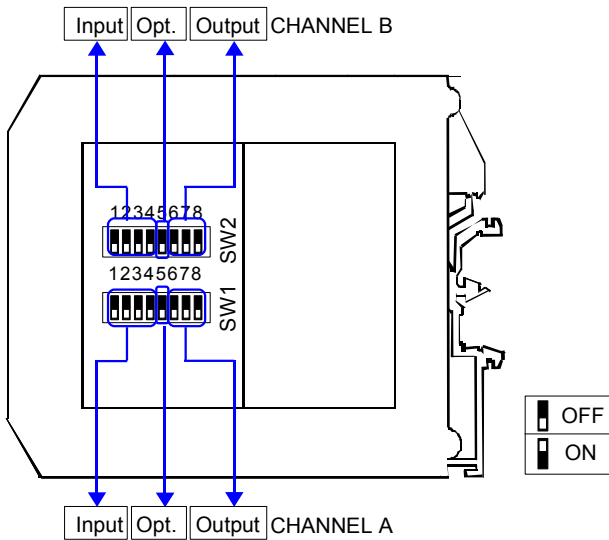
**TECHNICAL SPECIFICATIONS (Typical at 25 °C and in nominal conditions)**

INPUT				OUTPUT (2 CHANNELS)				POWER SUPPLY		
Input type	Min	Max	Min.Span	Output type	Min	Max	Min Span			
Voltage	0 V	10 V	1 V	Current	0 mA	20 mA	4 mA	Power supply voltage	18 .. 30 Vdc	
Current	0 mA	20 mA	1 mA	Voltage	0 V	10 V	1 V	Reverse polarity protection	60 Vdc max	
<b>Input Calibration (1)</b>				<b>Output calibration</b>				<b>Current consumption</b>		
Volt	the higher of ±0.1% f.s. and ± 2 mV			Current	± 7 uA			Current output	55 mA max.	
mA	the higher of ±0.1% f.s. and ± 6 uA			Voltage	± 5 mV			Voltage output	25 mA max.	
<b>Linearity (1)</b>				<b>Burn-out values</b>				<b>ISOLATION</b>		
Volt, mA	± 0.05 % f.s.			Max. output value	22 mA or 10.6 V			Among all ways	1500 Vac, 50 Hz, 1 min	
<b>Input impedance</b>				<b>Output load Resistance - Rload</b>				<b>TEMPERATURE AND HUMIDITY</b>		
Voltage	≥ 1 MΩ			Current output	< 500 Ω			Operative temperature	-20°C .. +60°C	
Current	≤ 50 Ω			Voltage output	> 10 KΩ			Storage temperature	-40°C .. +85°C	
<b>Line resistance influence (1)</b>				<b>Response time (10÷ 90%)</b>				Humidity (not condensed)		0 .. 90 %
Volt	≤ 0.8 uV/Ohm			about 100 ms				<b>HOUSING</b>		
<b>Thermal drift (1)</b>								Material		Self-extinguishing plastic
Full scale	± 0.01% / °C							Mounting		DIN rail in compliance with EN-50022 and EN-50035
								Weight		about 90 g.
								<b>EMC ( for industrial environments )</b>		
								Immunity		EN 61000-6-2
								Emission		EN 61000-6-4

(1)referred to the input Span (difference between max. and min.)

## PROGRAMMING

### CONFIGURATION BY DIP-SWITCHES



**NOTE:**

- It is also possible to set the dip-switches using the wizard of the configuration software following the procedure described in the section "Configuration by PC" until the step 6 and clicking on "Switch".

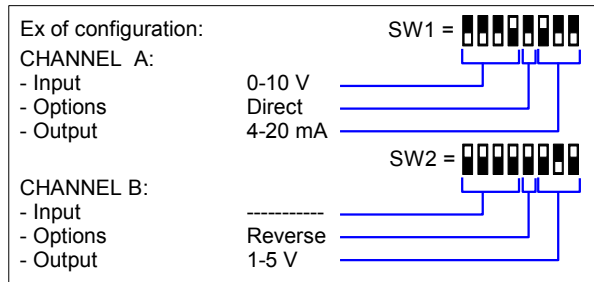
1) Open the suitable door on the side of the device.

Configuration of Channel A ( see TAB.1)

- 2) Set the input type by the dip-switch SW1 [1..4]
- 3) Set the output type by the dip-switch SW1 [6..8]
- 4) Set the options by the dip-switch SW1 [5]

Configuration of Channel B ( see TAB.2)

- 2) Set in the position "ON" the dip-switch SW2 [1..4]
- 3) Set the output type by the dip-switch SW2 [6..8]
- 4) Set the options by the dip-switch SW2 [5]



### DIP-SWITCH CONFIGURATION TABLES

TAB.1 – Channel A settings

Input	Output	Options
SW1 1 2 3 4 [ ][ ][ ][ ] Default *	SW1 6 7 8 [ ][ ][ ] 0+20 mA	SW1 5 Out: [ ] Direct
[ ][ ][ ][ ] 0+20 mA	[ ][ ][ ] 4+20 mA	[ ] Reverse
[ ][ ][ ][ ] 4+20 mA	[ ][ ][ ] 0+10 V	
[ ][ ][ ][ ] 0+10 V	[ ][ ][ ] 2+10 V	
[ ][ ][ ][ ] 2+10 V	[ ][ ][ ] 0+5 V	
[ ][ ][ ][ ] 0+5 V	[ ][ ][ ] 1+5 V	
[ ][ ][ ][ ] 1+5 V		

TAB.2 – Channel B settings

Input	Output	Options
SW2 1 2 3 4 [ ][ ][ ][ ] Doubler	SW2 6 7 8 [ ][ ][ ] 0+20 mA	SW2 5 Out: [ ] Direct
	[ ][ ][ ] 4+20 mA	[ ] Reverse
	[ ][ ][ ] 0+10 V	
	[ ][ ][ ] 2+10 V	
	[ ][ ][ ] 0+5 V	
	[ ][ ][ ] 1+5 V	

**NOTES:**

\* If the dip-switches SW1 [1..4] and SW2 [1..4] are all set in the position 0 ("Default"), the device will follow the configuration programmed by PC (Input and output type and options).

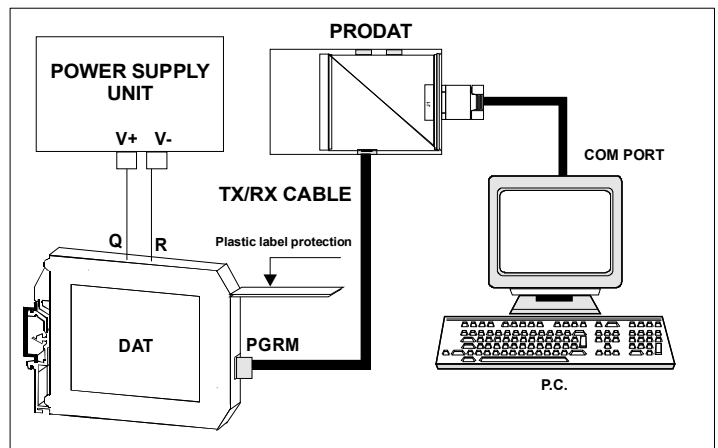
\* Eventual wrong dip-switches settings will be signalled by the blinking of the led "PWR".

### CONFIGURATION BY PC

- By software DATESOFT it is possible to:
- set the default programming of the device;
  - program the options not available with the dip-switch;
  - read, in real time, the input and output measures;
  - follow the dip-switches configuration wizard.

To configure the device follow the next steps:

- 1) Power-on the device.
- 2) Open the protection plastic label on the front of the device.
- 3) Connect the interface PRODAT to the PC (COM port) and to the device (PGRM connector).
- 4) Open DATESOFT.
- 5) Select the COM port in use.
- 6) Click on "Open COM".
- 7) Click on "Program".
- 8) Set the programming data.
- 9) Click on "Write" to send the programming data to the device.



**Warning: during these operations the device must always be powered and the TX/RX cable always connected.**  
**For information about DATESOFT refer to the software's user guide.**

## INSTALLATION INSTRUCTIONS

The device is suitable for fitting to DIN rails in the vertical position. For optimum operation and long life follow these instructions:

**When the devices are installed side by side it may be necessary to separate them by at least 5 mm in the following cases:**

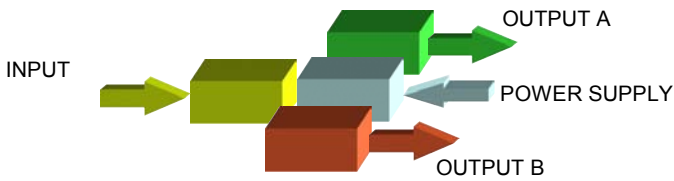
- If panel temperature exceeds 45°C.
- Use of high power supply value (> 27 Vdc).
- Use of output current.

Make sure that sufficient air flow is provided for the device avoiding to place raceways or other objects which could obstruct the ventilation slits. Moreover it is suggested to avoid that devices are mounted above appliances generating heat; their ideal place should be in the lower part of the panel.

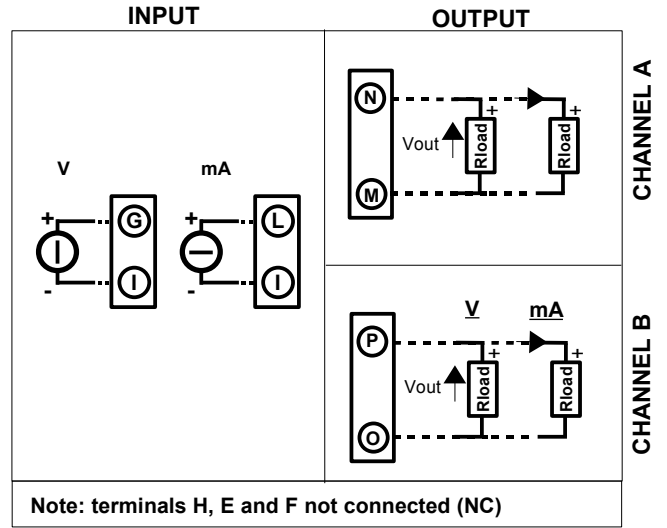
Install the device in a place without vibrations.

Moreover it is suggested to avoid routing conductors near power signal cables (motors, induction ovens, inverters etc...) and to use shielded cable for connecting signals.

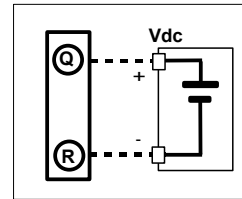
## ISOLATION STRUCTURE



## CONNECTIONS



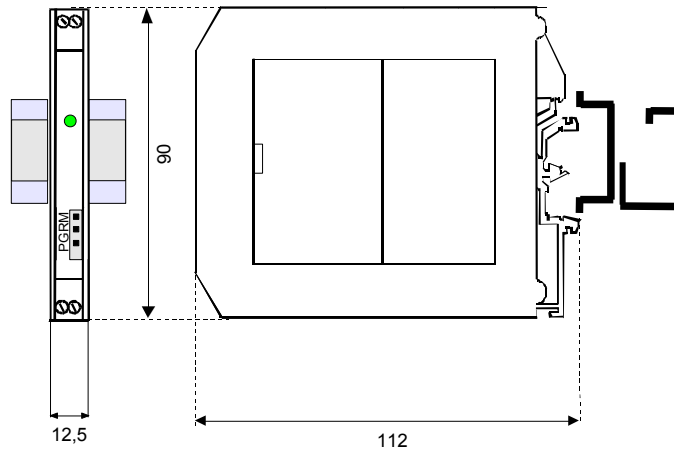
## POWER SUPPLY



## LIGHT SIGNALLING

LED	COLOUR	STATE	DESCRIPTION
PWR	GREEN	ON	Device powered
		OFF	Device not powered
		BLINKING	Wrong dip-switches setting

## DIMENSIONS (mm)



## HOW TO ORDER

The device is provided as requested on the Customer's order. Refer to the section "Programming" to determine the input and output ranges. In case of the configuration is not specified, the parameters must be set by the user.

### ORDER CODE EXAMPLE:

**DAT 4631D / 4 ÷ 20 mA / 4 ÷ 20 mA / Direct**

